

# COMPU Craft

Fabricators Inc.

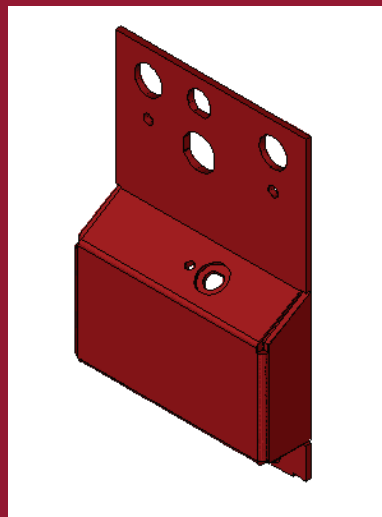
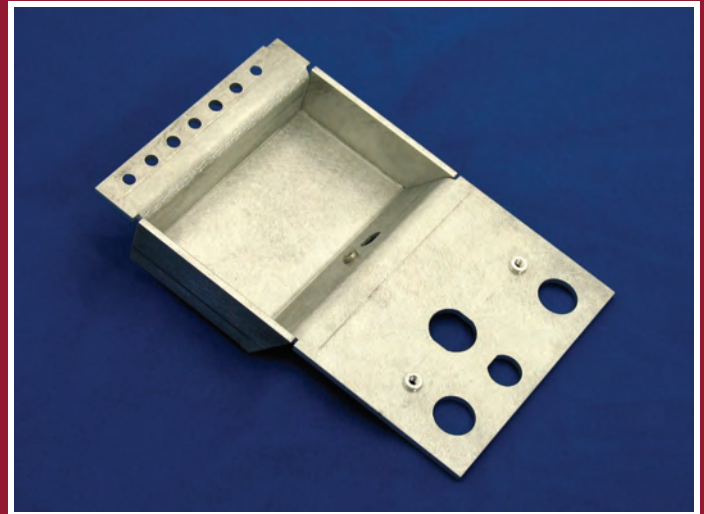
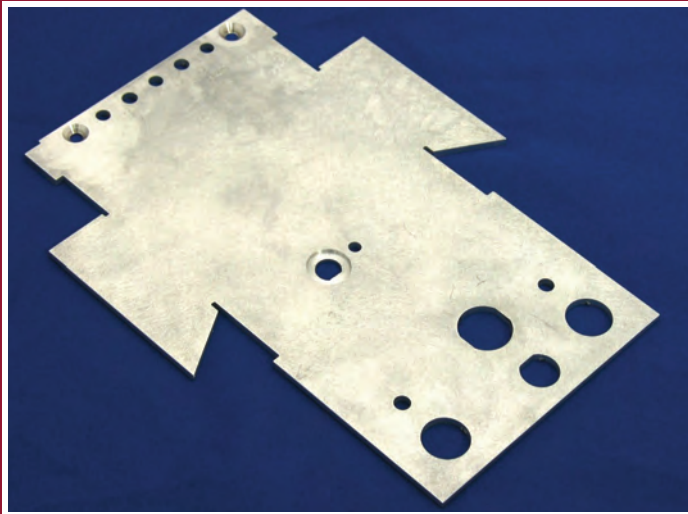
Precision Metal Components

[www.metalwork.com](http://www.metalwork.com)

## January Part of the Month



102D Park Drive • Montgomeryville, PA 18936 • 215-654-7778 • Fax: 215-654-7779 • E-mail: [potm@metalwork.com](mailto:potm@metalwork.com)



Top Left: Flat pattern developed using KeyCreator CAD software. Top Right: Formed part with hardware, prior to welding. Far Left: Finished part. Supplied to our customer with paint and silkscreen per their specifications. Left: Isometric CAD view of part.

### All CAD Formats Accepted

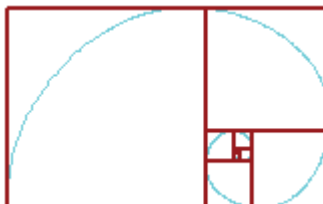
Including: dwg, dxf, slddrw, sldprt, sldasm, iges, step, Pro/E, ckd, prt, stl, CATIA 4/5, Unigraphics, Autodesk Inventor, Parasolid, Surface, ACIS SAT

### Complete Assembly, Sheetmetal, Machined, and Welded Components

- Approved supplier to ISO9000 Certified Companies
- Quality Assurance To MIL-I-45208A
- Certified Welding to MIL-STD-1595A for process GTAW Group 1b, 1ia,
- 100% In-process Inspection
- Certified Inspection Reports

### Problem of the Month

A rectangle with sides of the ratio phi is called a golden rectangle. If you make such a rectangle smaller by removing a square formed by the smallest side, the sides of the remaining smaller rectangle have the same ratio of phi and so on. What is the value of phi?



### Quiz of the Month

Which mythological character is not a child of Zeus?

- A) Apollo
- B) Hermes
- C) Dionysus
- D) Jupiter

### December's Answers

QUIZ: C) 241 is the number of wins that Steve Carlton had as pitcher for the Phillies. His career total is 329.

PROBLEM: There are several possible answers. Here are three:  $(7 \times 6) + 4 - 2 = 44$   
 $(8 \times 6) - (4 \times 1) = 44$   
 $(9 + 2) \times (8 - 4) = 44$

**Quote of the month:** "Be as smart as you can, but remember that it is always better to be wise than smart." — Alan Alda